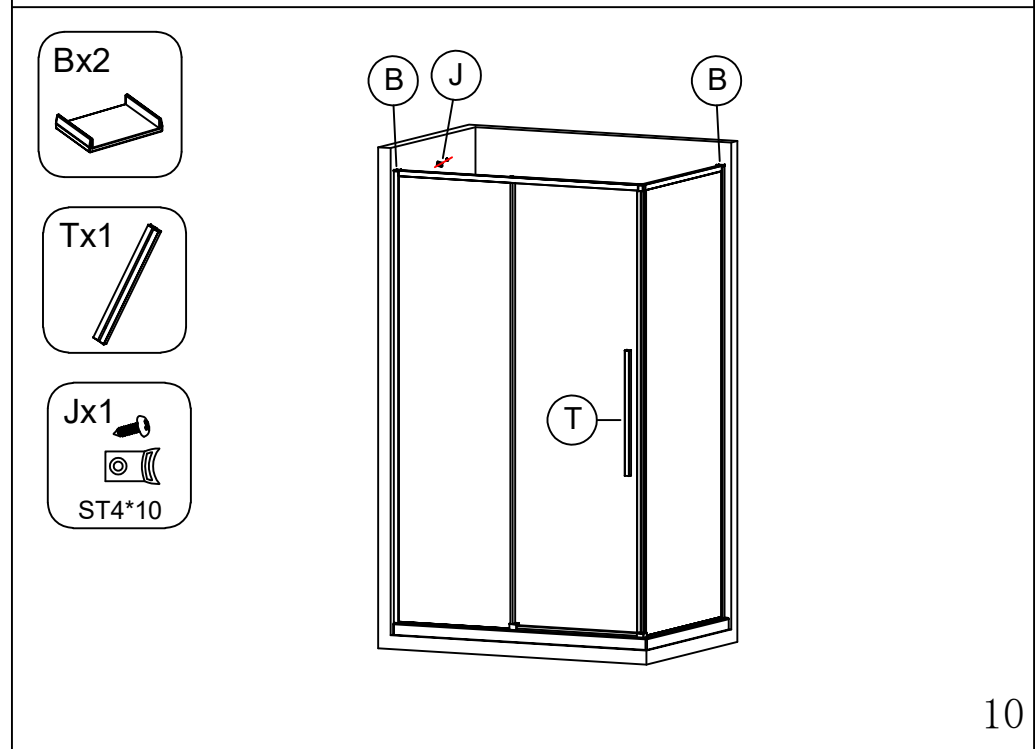
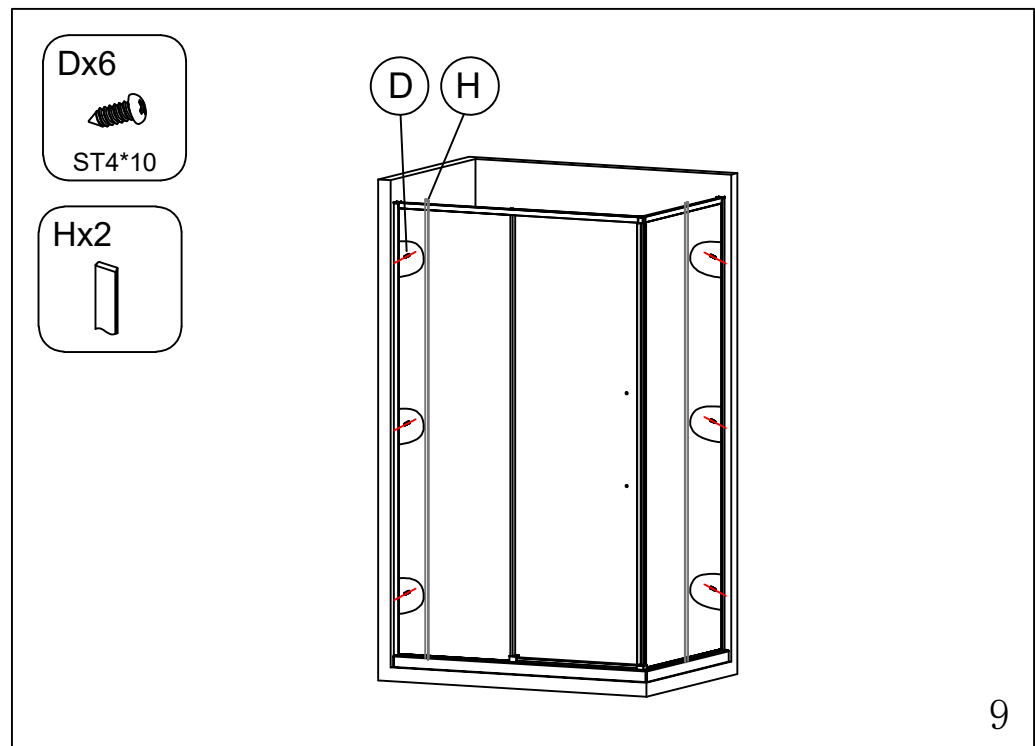
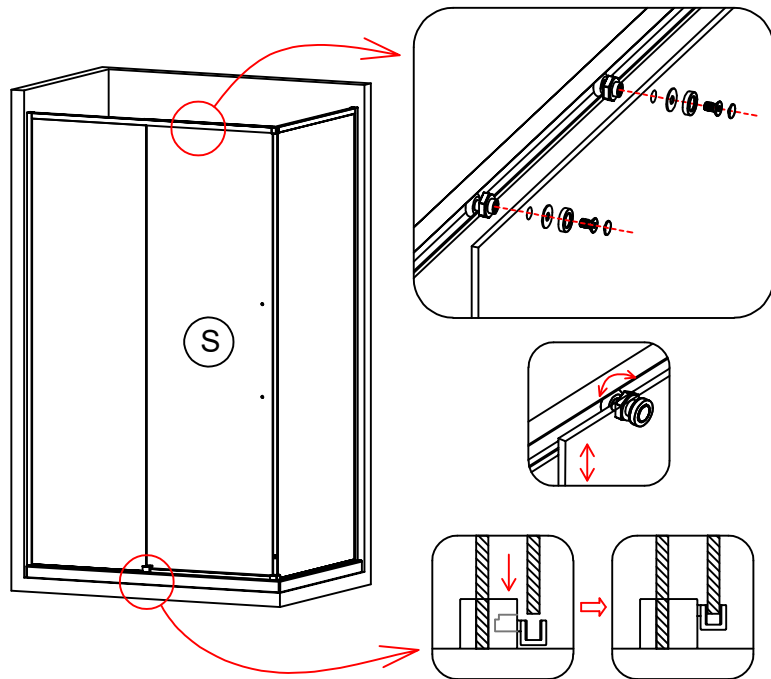
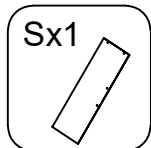
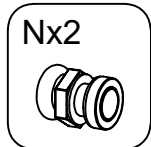
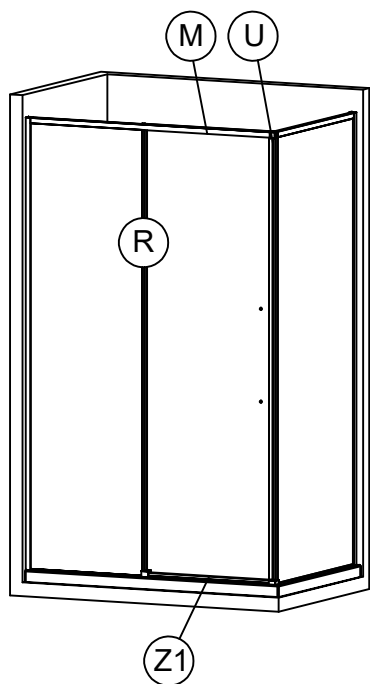
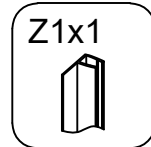
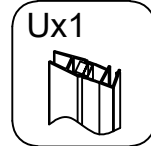
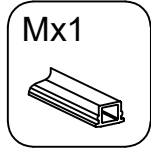


A Ø6*30 X6	B X2	C ST4*30 X6	D ST4*10 X6	E X2	F X2	G X2	H X2
I ST4*30 X4	J ST4*10 X1	K X2	L X2	M X1	N X2	O X1	P ST4*10 X2
Q X1	R X2	S X1	T X1	U X1	V X1	W X2	X X1
Y X1	Z1 X1	Z2 X2					

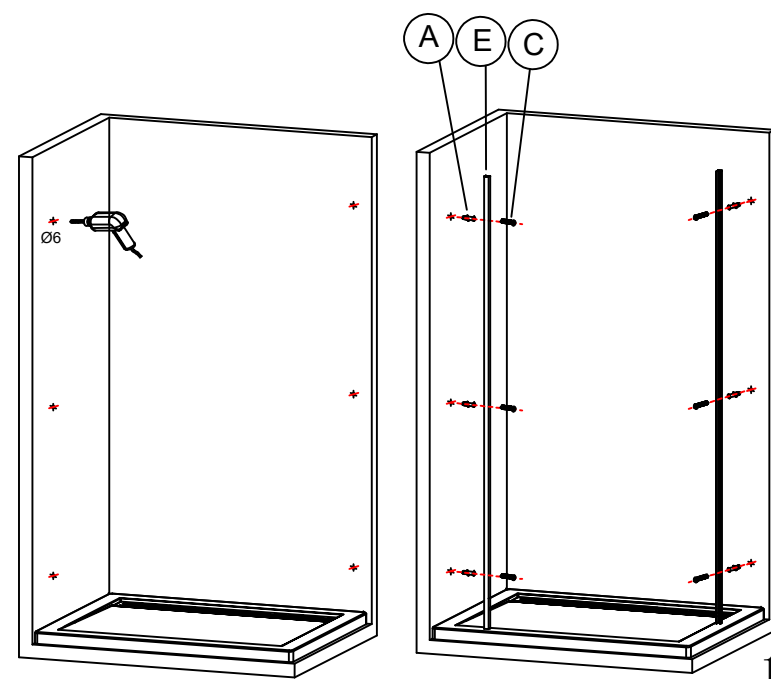
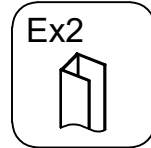




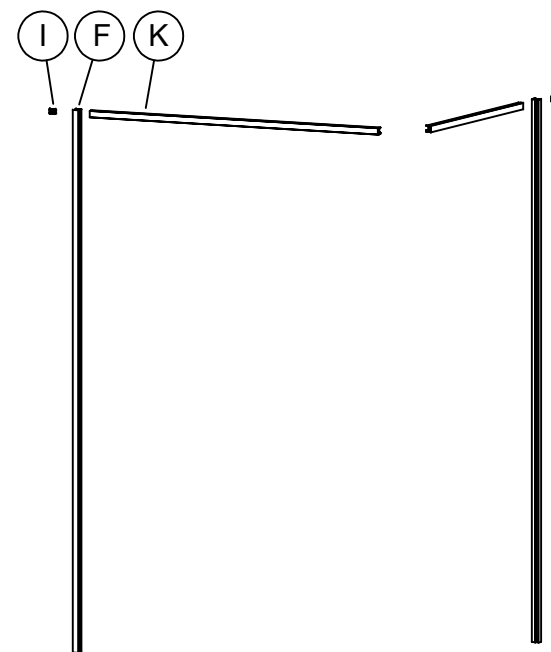
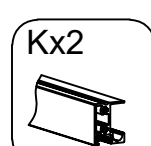
7



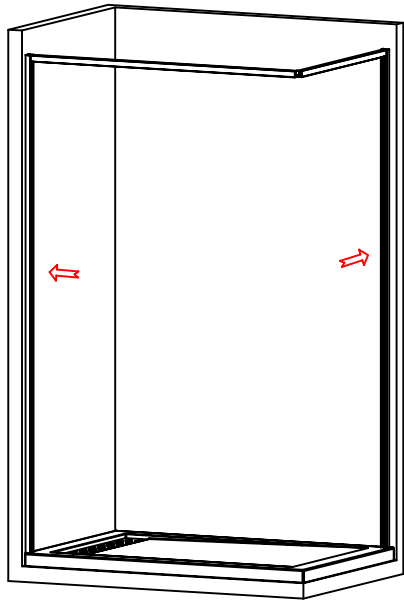
8



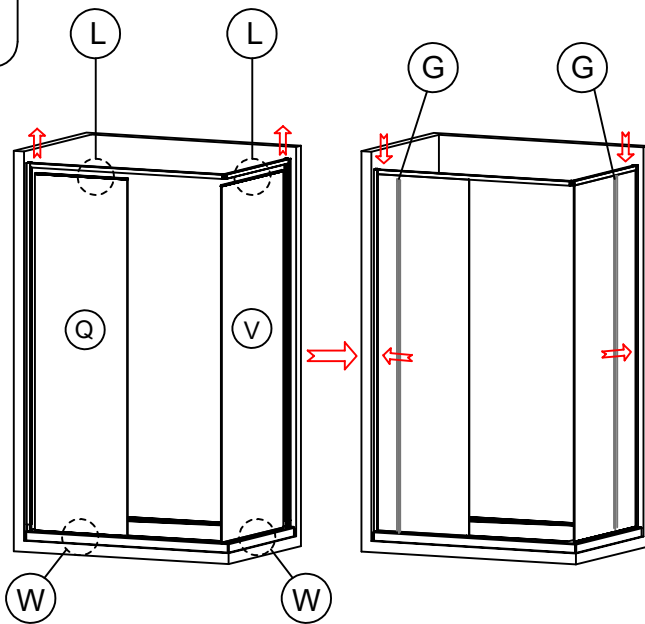
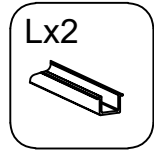
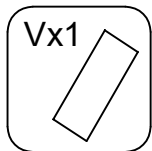
1



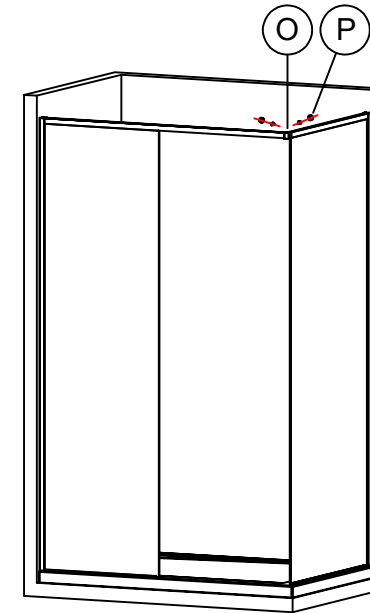
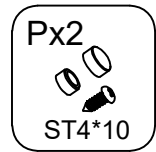
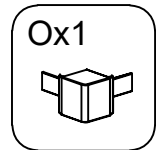
2



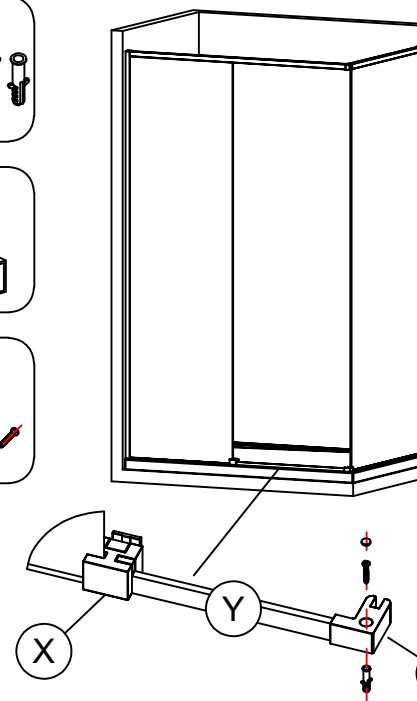
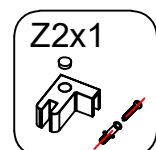
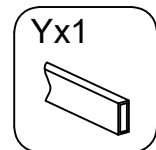
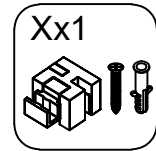
3



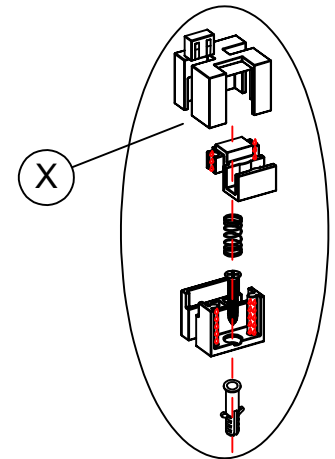
4



5



**SLIDER BLOCK MANUAL**  
 Before installing the slider block, please pay attention to adding a proper amount of lubricating oil at the position shown by the arrow, to ensure the smoothness and silencing effect of the slider block.



6